

EN
ES
FR
--
--

3

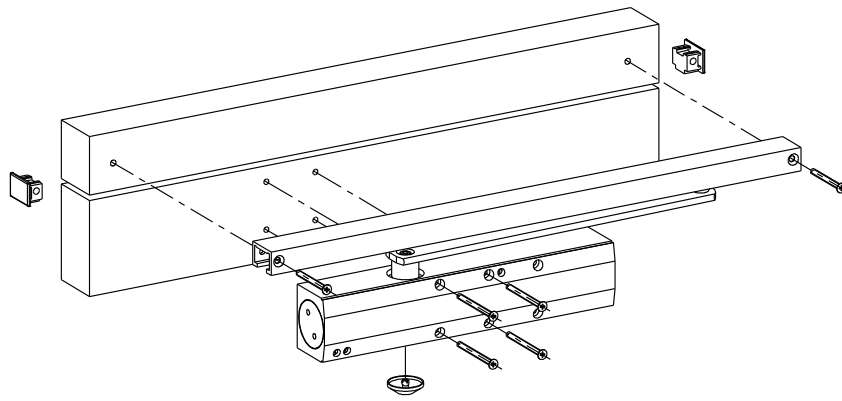
Description

OTS 634 Normalmontage Bandseite, DIN links K-17523

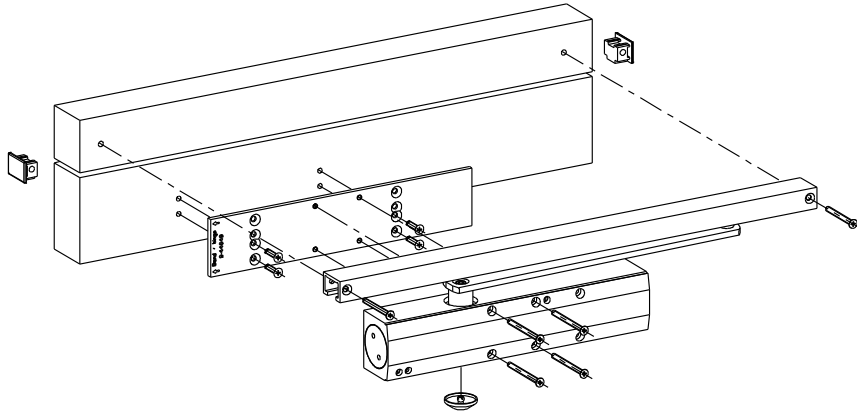
OTS 634 standard mounting on hinge side, DIN left K-17523

	Release No.	Level	Released		Scale	Modification	Size	
	--	Ver.	--	Wi				%
	Mod. No. G30831	Draft	20.05.2015	Se				
Replacement for --						Drawing No.	Sheet	
						0-44860-PL-0-0	1/12	

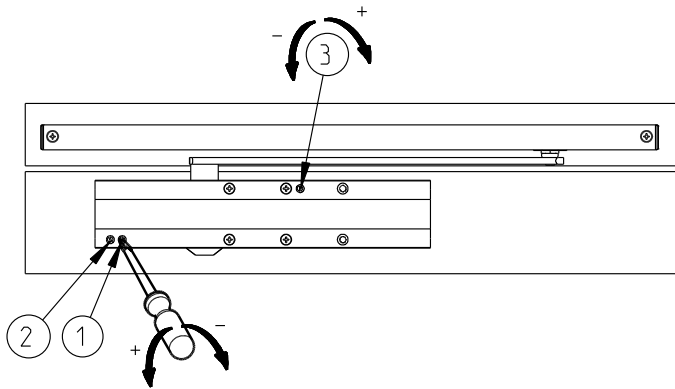
4a



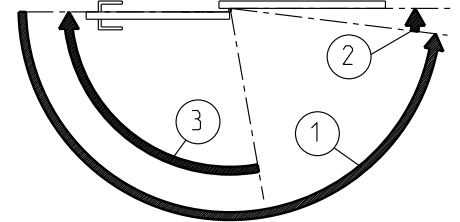
4b



5



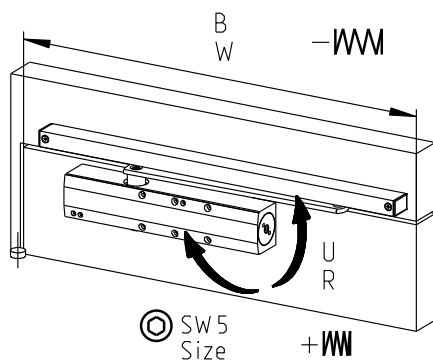
- ① Schließgeschwindigkeit
Closing speed
- ② Türendschlag
Latching force
- ③ Öffnungsdämpfung
Backcheck



Proprietary rights apply in accordance with ISO 16016.

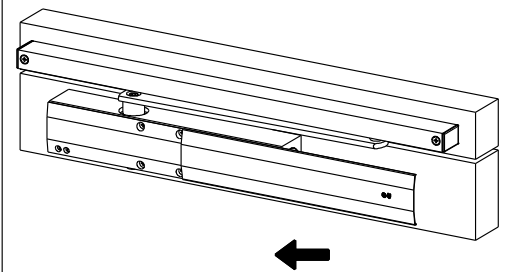
EN
ES
FR
--
--

6



Schließkraft Closing force		
EN	≤ B W	U R
2	850mm	- 10
3	950mm	- 8
4	1100mm	0

7



Montageanleitung
assembly instructions

V4

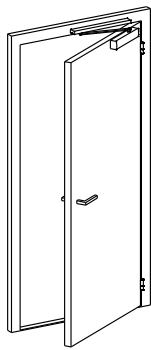
Description

OTS 634 Normalmontage Bandseite, DIN links K-17523

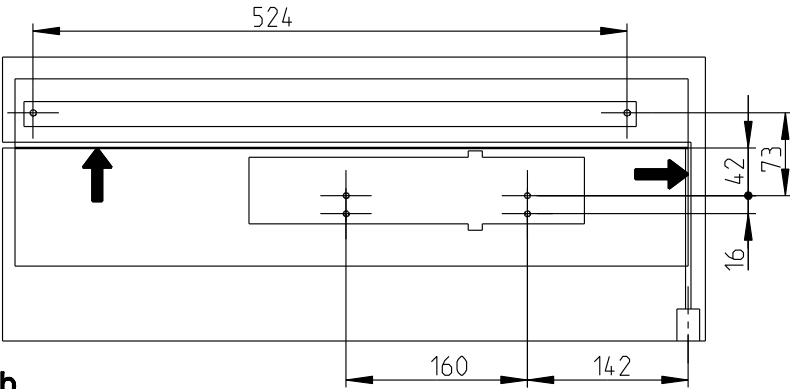
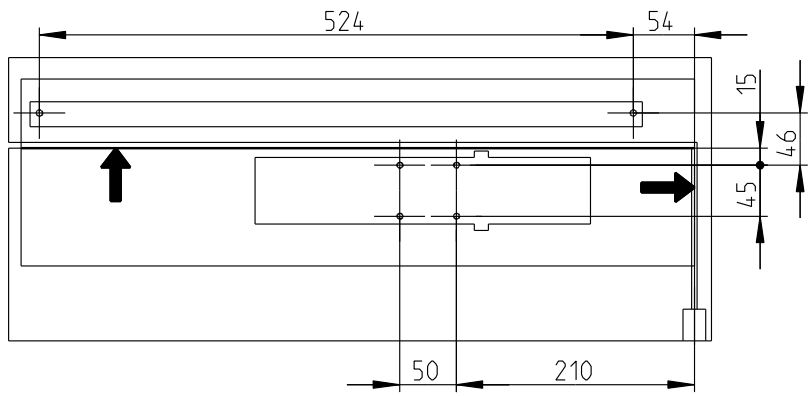
OTS 634 standard mounting on hinge side, DIN left K-17523

	Release No. --	Level	Released		Scale %	Modification 4	Size 4
	Mod. No. G30831	Ver.	--	Wi			
		Replacement for --	Draft	20.05.2015	Se	Drawing No. 0-44860-PL-0-0	Sheet 2/12

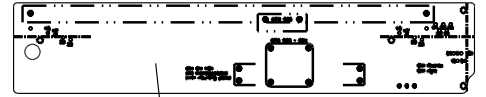
08	4	1	1	3
	4	2	1	1
Gretsch-Unitas GmbH Baubeschäft AG Johann-Maus-Str. 3 D-71254, Ditzingen				
0432-CPD-0067 EN 1154:1996 + A1:2002 4 B 2				
Substance: -----				



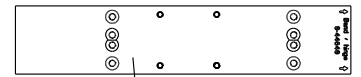
1a



1b



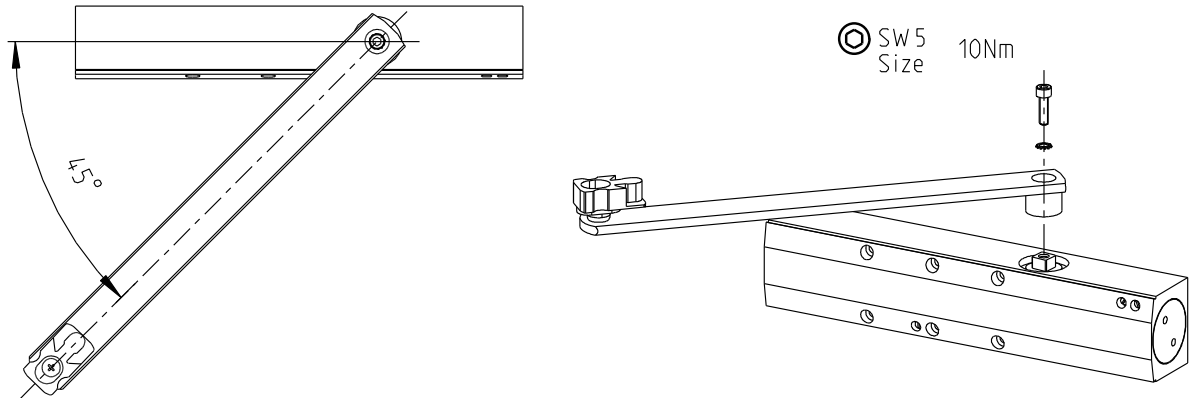
K-17975 optional



K-17578 optional

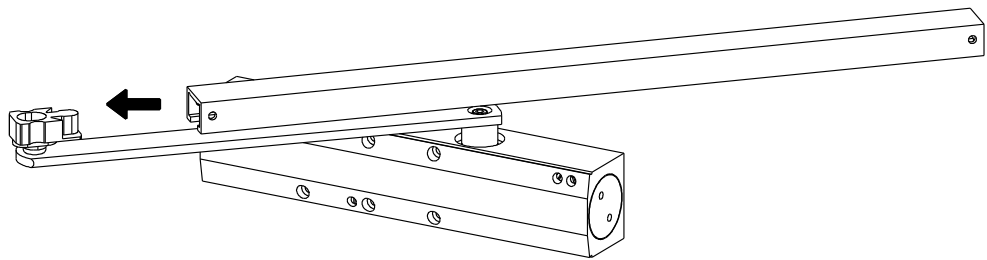
Proprietary rights apply in accordance with ISO 16016.

2



EN
ES
FR
--
--

3



Description

OTS 634 Normalmontage Bandseite, DIN rechts K-17523

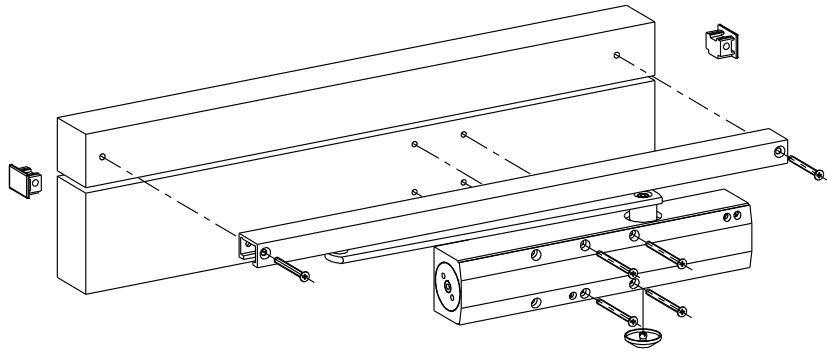
OTS 634 standard mounting on hinge side, DIN right K-17523



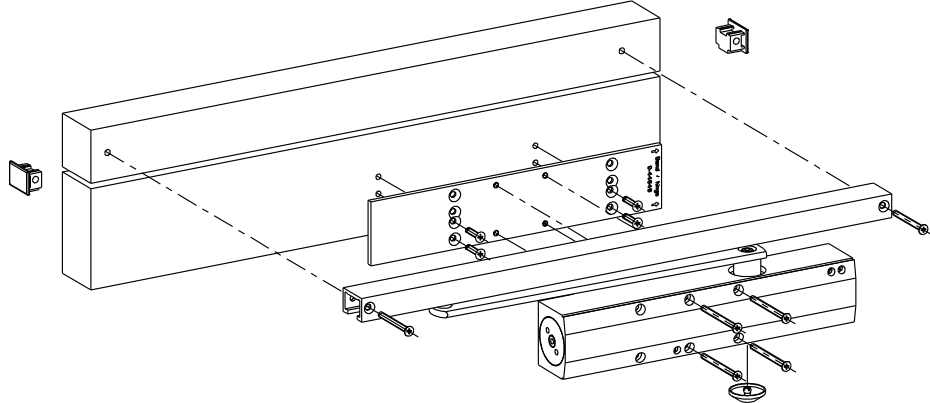
Release No. --	Level	Released		Scale %	Modification 4	Size 4
	Ver.	--	Wi			
	Draft	20.05.2015	Se			
Replacement for --					Drawing No. 0-44860-PL-0-0	Sheet 3/12

Proprietary rights apply in accordance with ISO 16016.

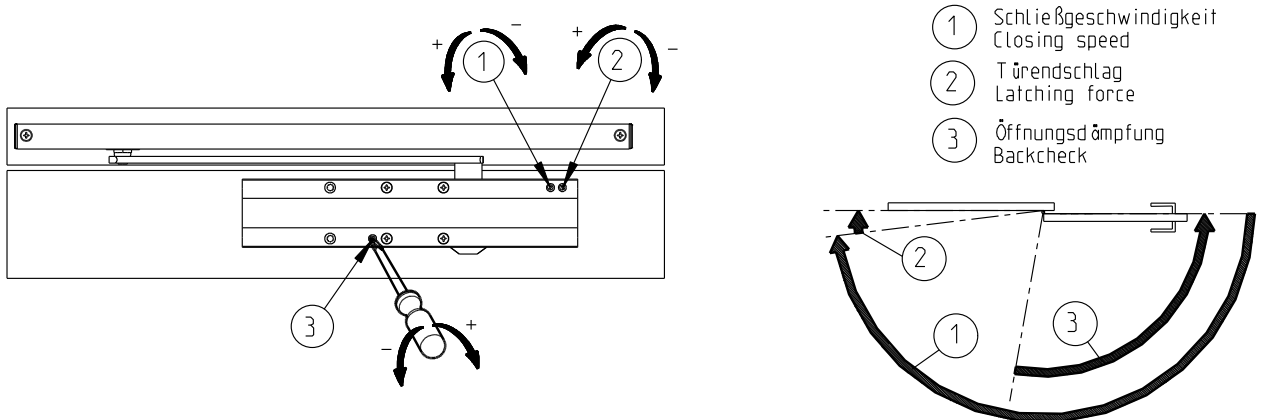
4a



4b

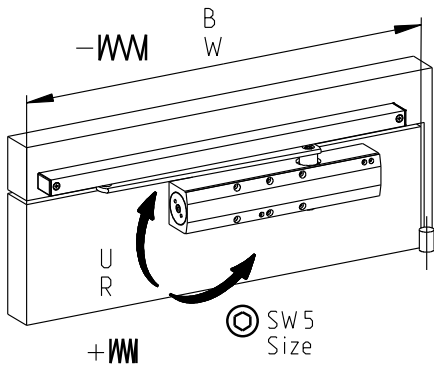


5



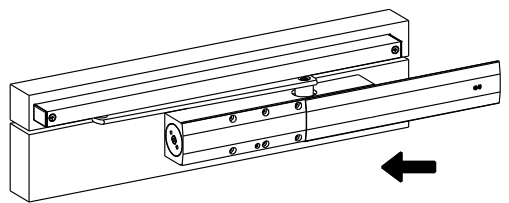
EN
ES
FR
--
--

6



Schließkraft Closing force		
EN	$\leq \frac{B}{W}$	U R
2	850mm	- 10
3	950mm	- 8
4	1100mm	0

7



Description
OTS 634 Normalmontage Bandseite, DIN rechts K-17523

OTS 634 standard mounting on hinge side, DIN right K-17523

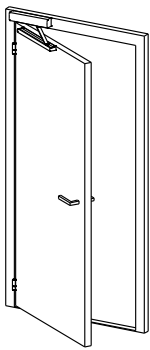


Release No. --	Level	Released		Scale %	Modification 4	Size 4
	Ver.	--	Wi			
	Draft	20.05.2015	Se		Drawing No. 0-44860-PL-0-0	Sheet 4/12
Replacement for --						

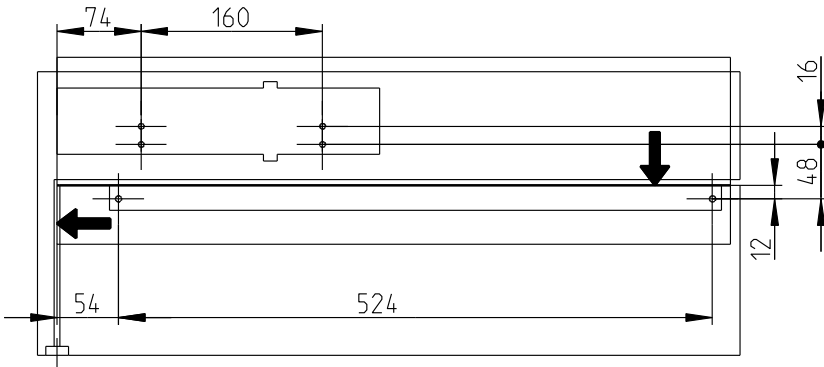
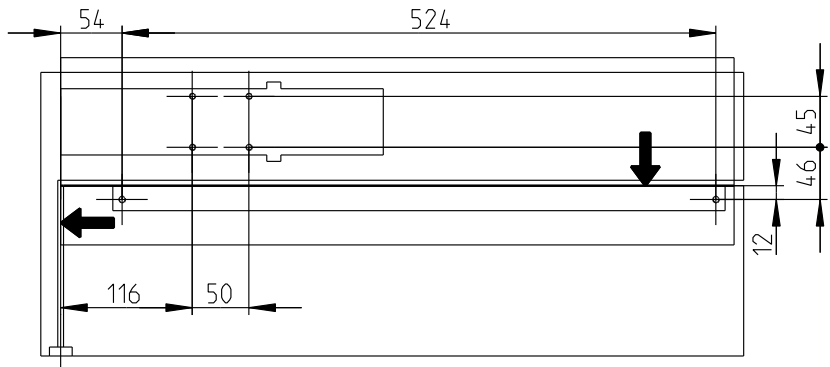
**Montageanleitung
assembly instructions**

V4

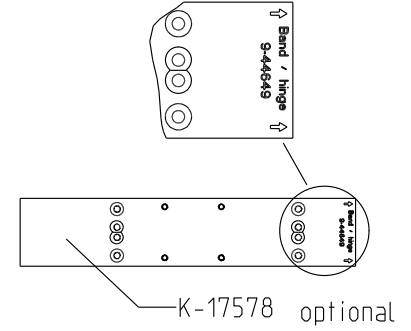
08	1	3
	1	1
Gretsch-Unitas GmbH Baurechtslage Johann-Klaus-Str. 3 D-71254 Ditzingen	4	2
	8	2
CE	4	2
	8	2
0432-CPD-0067 EN 1154:1996 • A1:2002	4	2
Substanznr: -----		



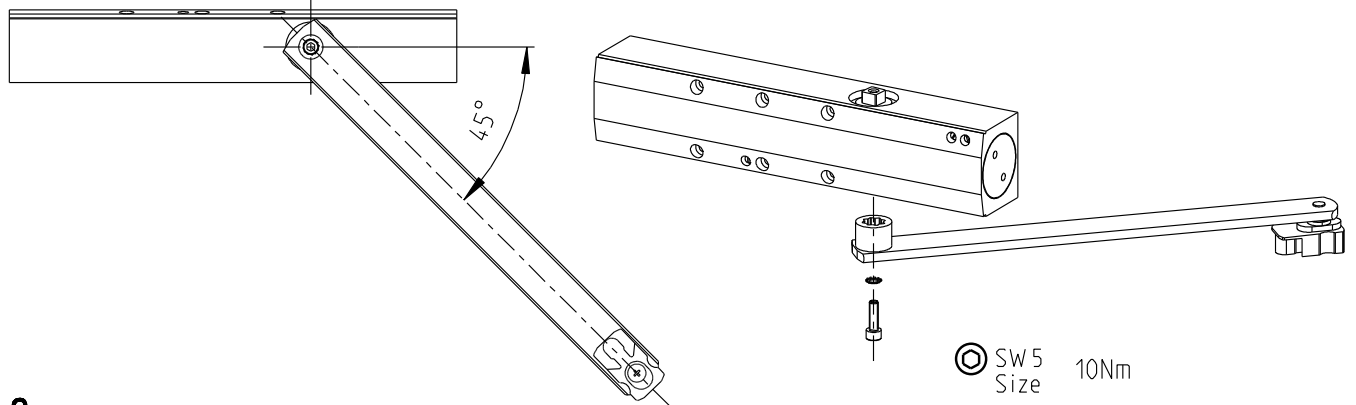
1a



1b

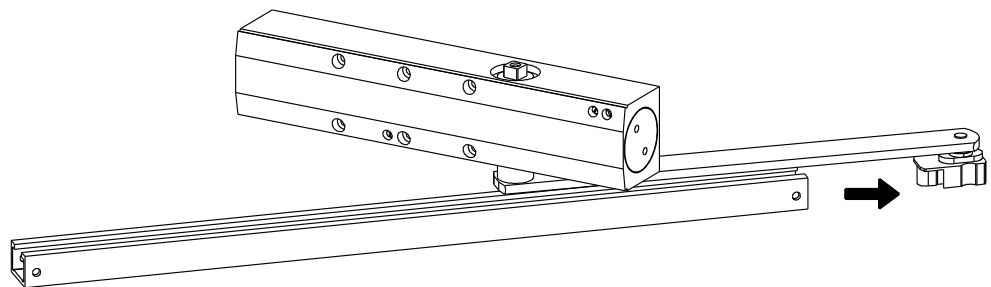


Proprietary rights apply in accordance with ISO 16016.



2

EN
ES
FR
--
--



3

Description

OTS 634 Kopfmontage Bandseite, DIN links K-17523

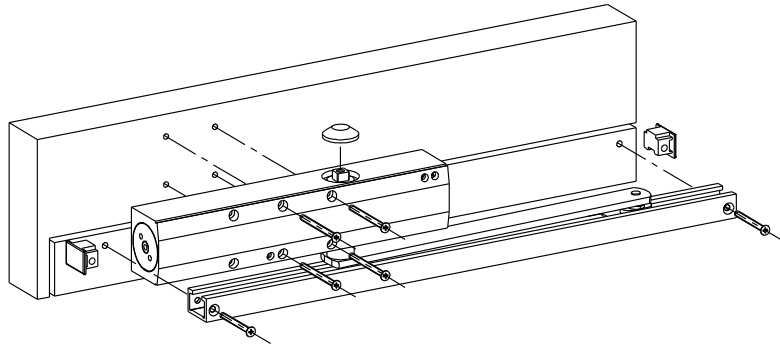
OTS 634 transom mounting on hinge side, DIN left K-17523

**Montageanleitung
assembly instructions**

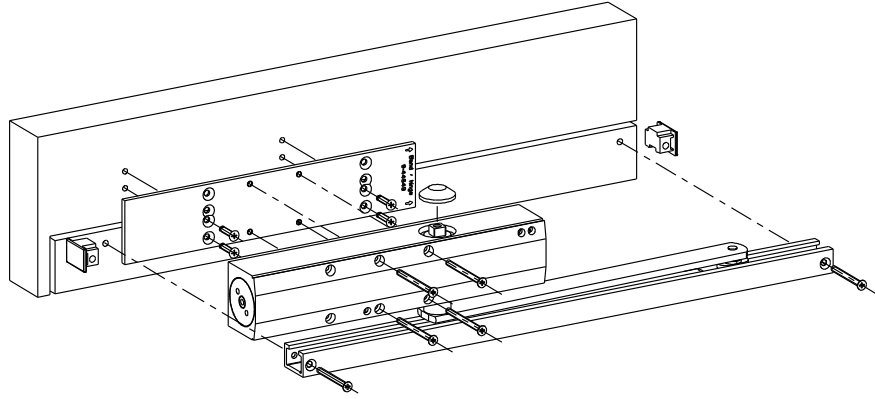
V4

	Release No.	Level	Released		Scale	Modification	Size	
	--	Ver.	--	Wi				%
	Mod. No. G30831	Draft	20.05.2015	Se				
Replacement for --						Drawing No.	Sheet	
						0-44860-PL-0-0	5/12	

4a

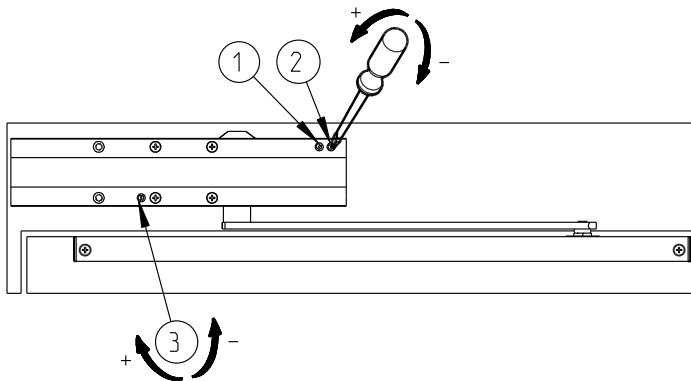


4b

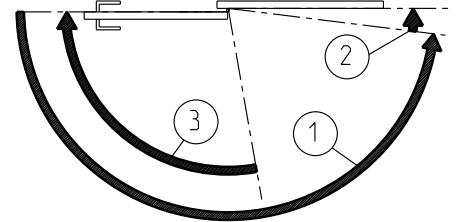


Proprietary rights apply in accordance with ISO 16016.

5



- ① Schließgeschwindigkeit
Closing speed
- ② Türendschlag
Latching force
- ③ Öffnungsdämpfung
Backcheck

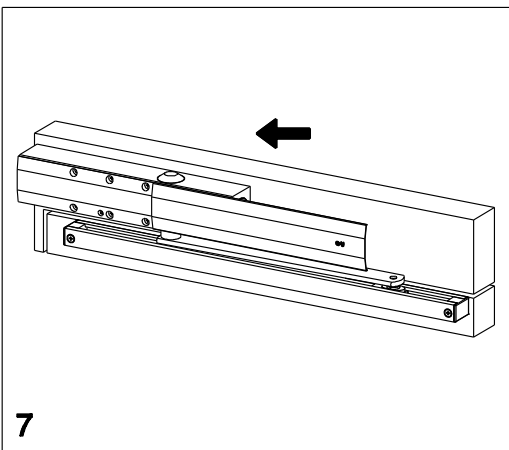


EN
ES
FR
--
--

6

Schließkraft Closing force	
EN	$\leq \frac{B}{W}$ \curvearrowright U R
2	850mm - 10
3	950mm - 8
4	1100mm 0

7



Montageanleitung
assembly instructions

V4

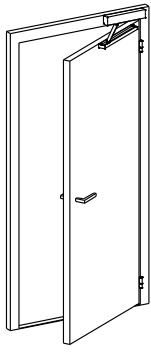
Description

OTS 634 Kopfmontage Bandseite, DIN links K-17523

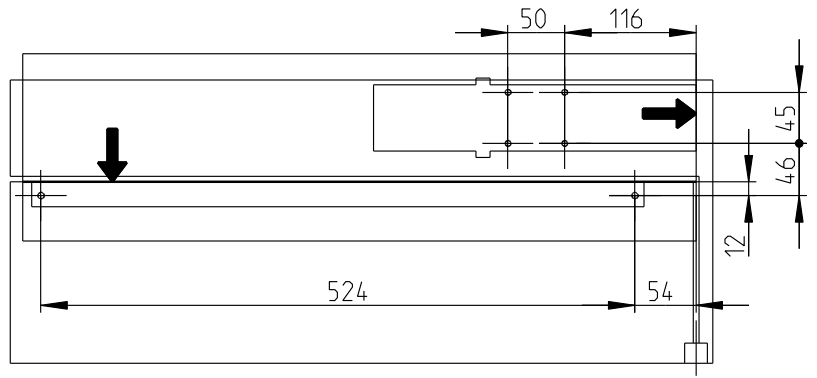
OTS 634 transom mounting on hinge side, DIN left K-17523

	Release No.	Level	Released		Scale %	Modification	Size 4
	--	Ver.	--	Wi		4	
	Mod. No. G30831	Draft	20.05.2015	Se		Drawing No.	
Replacement for --						0-44860-PL-0-0	6/12

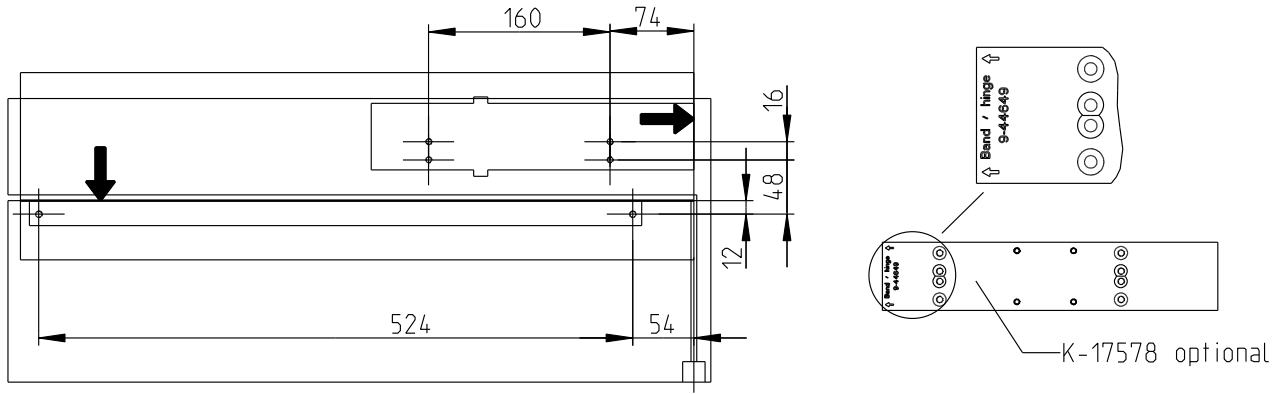
08	1	1	1	3
	4	2	8	2
Gretsch-Unitas GmbH Bauteil- und Johann-Maus-Str. 3 D-71254 Ditzingen				
04.32-CPD-0067 EN 1154:1996 + A1:2002 4 8 2				
CE	Substance:-----			



1a

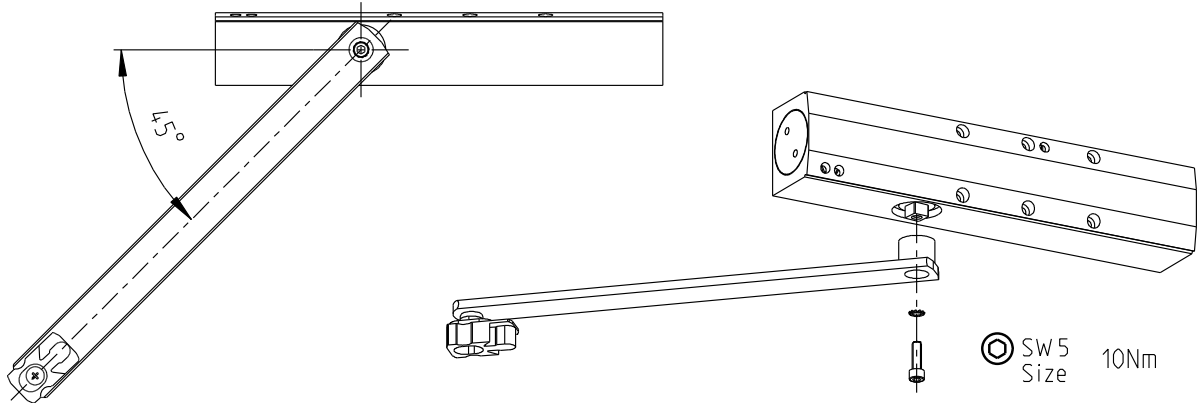


1b



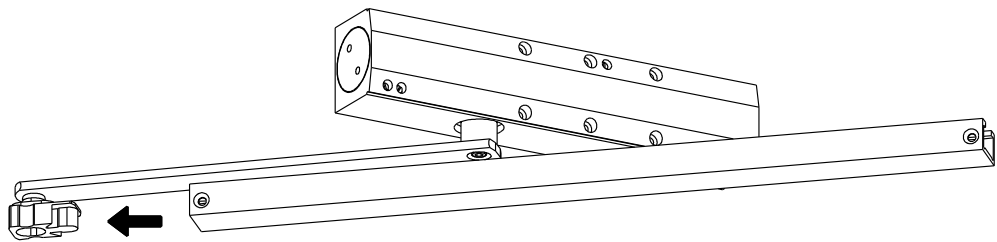
Proprietary rights apply in accordance with ISO 16016.

2



EN
ES
FR
--
--

3



Description

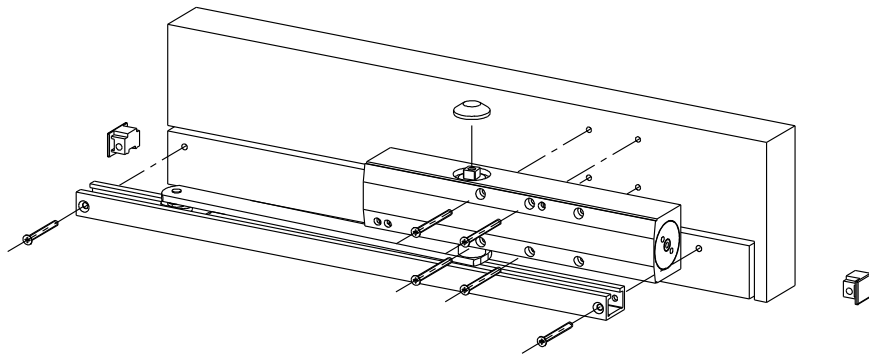
OTS 634 Kopfmontage Bandseite, DIN rechts K-17523

OTS 634 transom mounting on hinge side, DIN right K-17523

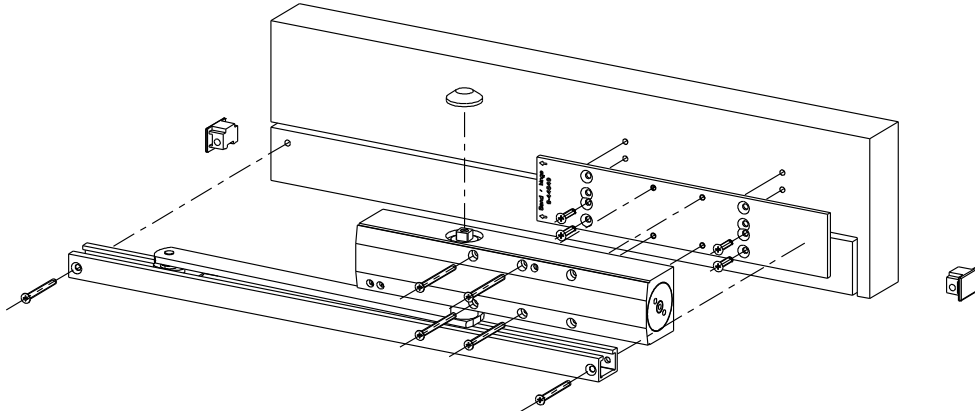


Release No. --	Level	Released		Scale %	Modification 4	Size 4
	Ver.	--	Wi			
	Draft	20.05.2015	Se			
Mod. No. G30831					Drawing No.	Sheet
Replacement for --					0-44860-PL-0-0	7/12

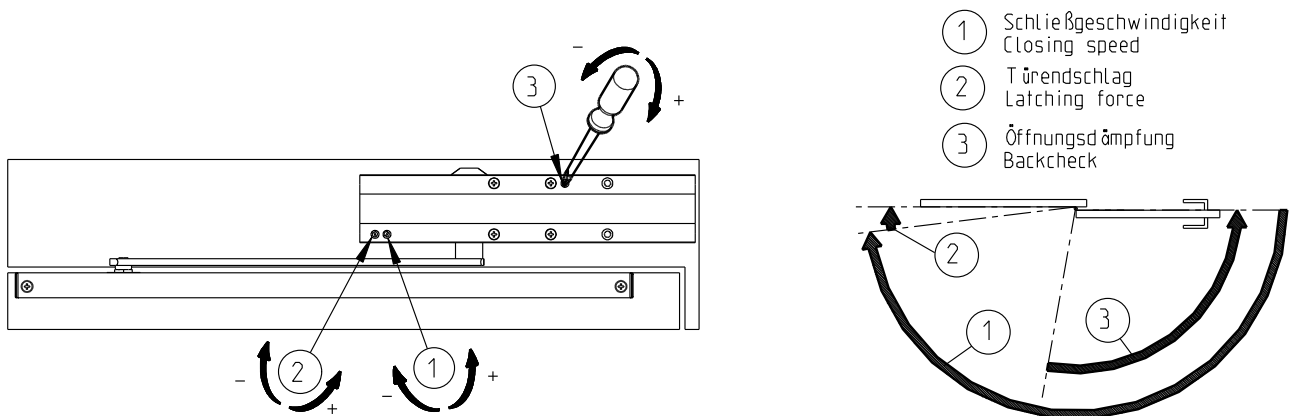
4a



4b



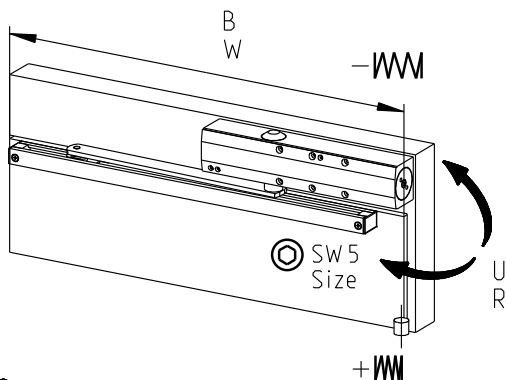
5



Proprietary rights apply in accordance with ISO 16016.

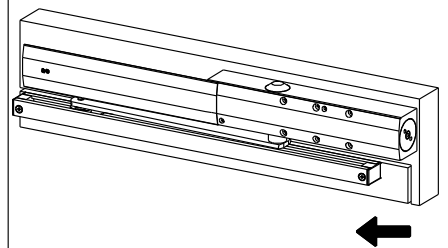
EN
ES
FR
--
--

6



Schließkraft Closing force		
EN	≤ B W	U R ↻
2	850mm	- 10
3	950mm	- 8
4	1100mm	0

7



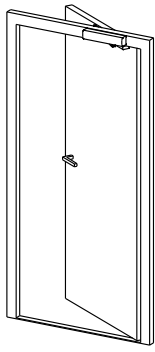
Montageanleitung
assembly instructions

Description

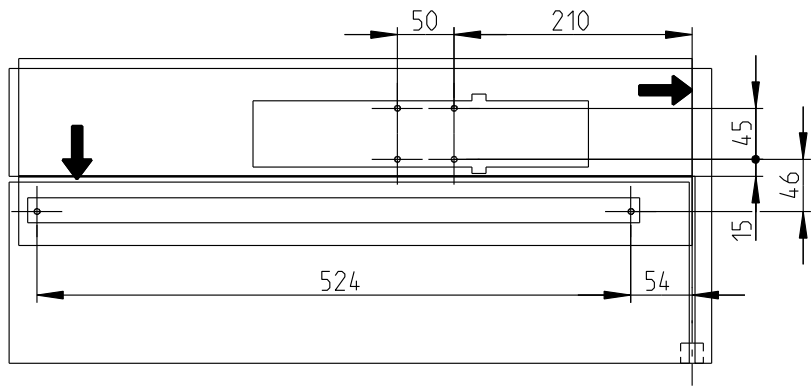
OTS 634 Kopfmontage Bandseite, DIN rechts K-17523

OTS 634 transom mounting on hinge side, DIN right K-17523

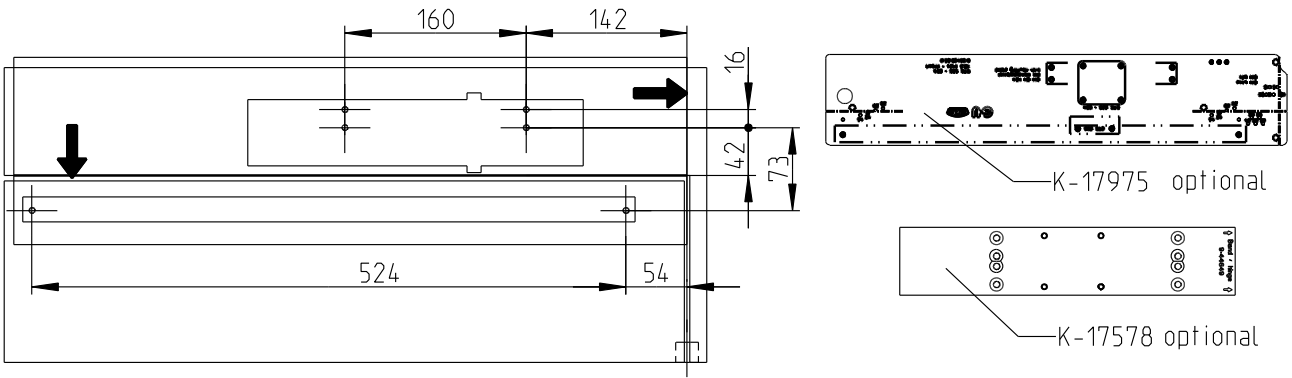
	Release No. --	Level	Released		Scale %	Modification	Size 4
	Mod. No. G30831	Ver.	--	W i		4	
		Draft	20.05.2015	Se			
Replacement for --						Drawing No. 0-44860-PL-0-0	Sheet 8/12



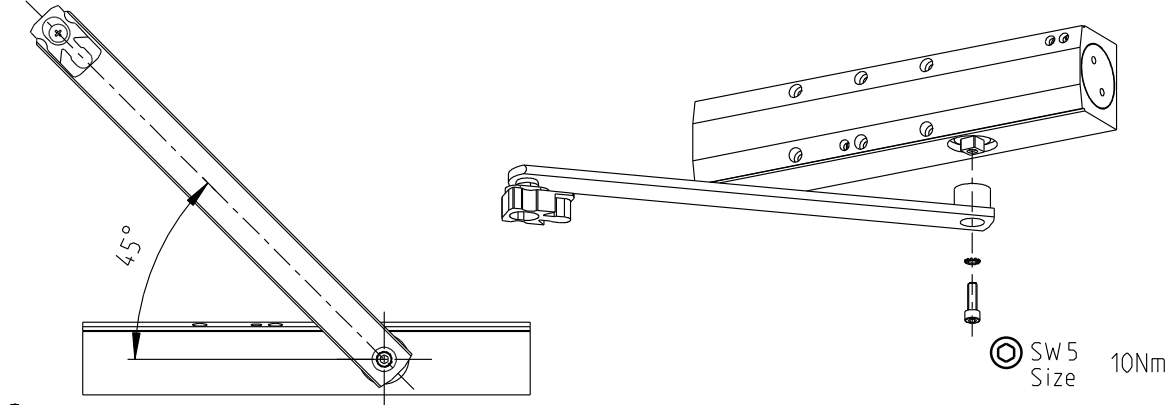
1a



1b

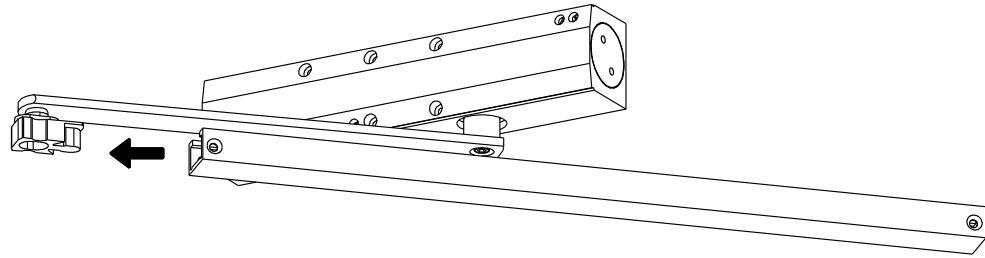


Proprietary rights apply in accordance with ISO 16016.



2

EN
ES
FR
--
--

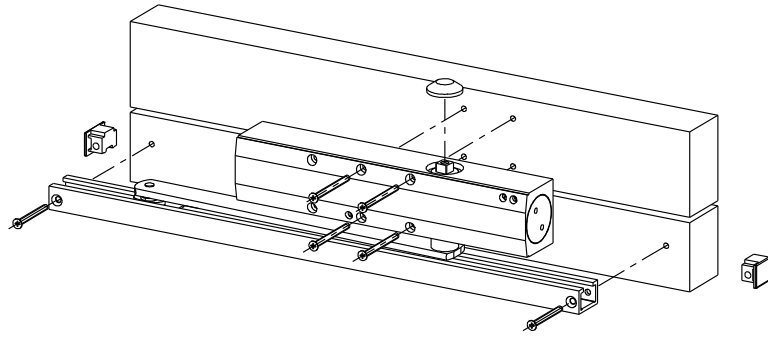


3

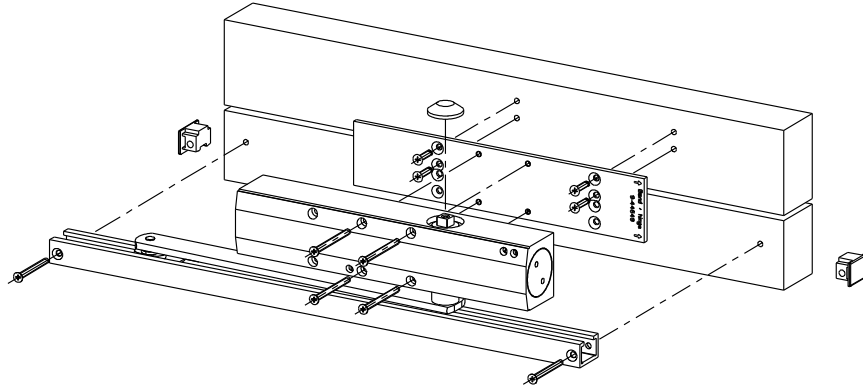
Description
OTS 634 Kopfmontage Bandgegenseite, DIN links K-17523
OTS 634 transom mounting on side opposite to hinges, DIN left K-17523



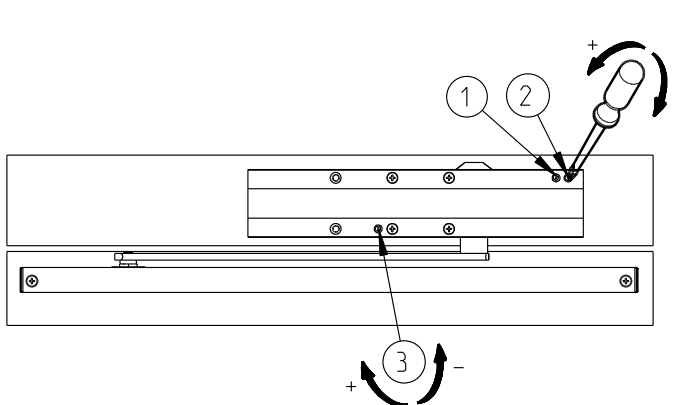
Release No. --	Level	Released		Scale %	Modification 4	Size 4
	Ver.	--	Wi			
	Draft	20.05.2015	Se			
Replacement for --					Drawing No. 0-44860-PL-0-0	Sheet 9/12



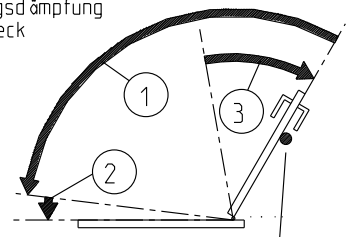
4a



4b



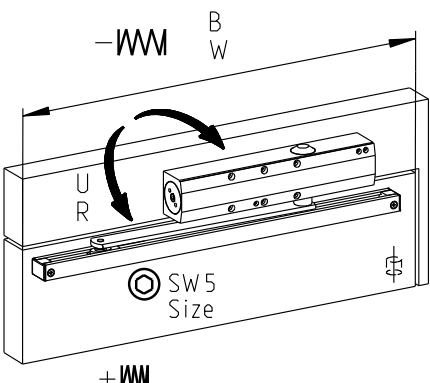
- ① Schließgeschwindigkeit
Closing speed
- ② Türanschlag
Latching force
- ③ Öffnungsdämpfung
Backcheck



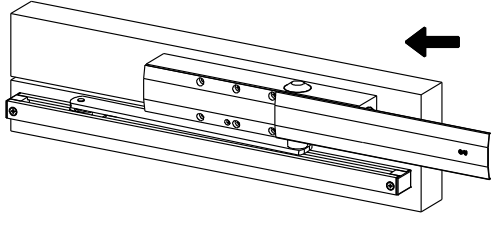
Türstopper bauseits setzen
Door stop to be provided by customer
max. 105°

5

- EN
- ES
- FR
-
-



Schließkraft Closing force	
EN	≤ B W
2	850mm - 10
3	950mm - 8
4	1100mm 0



6

7

Description

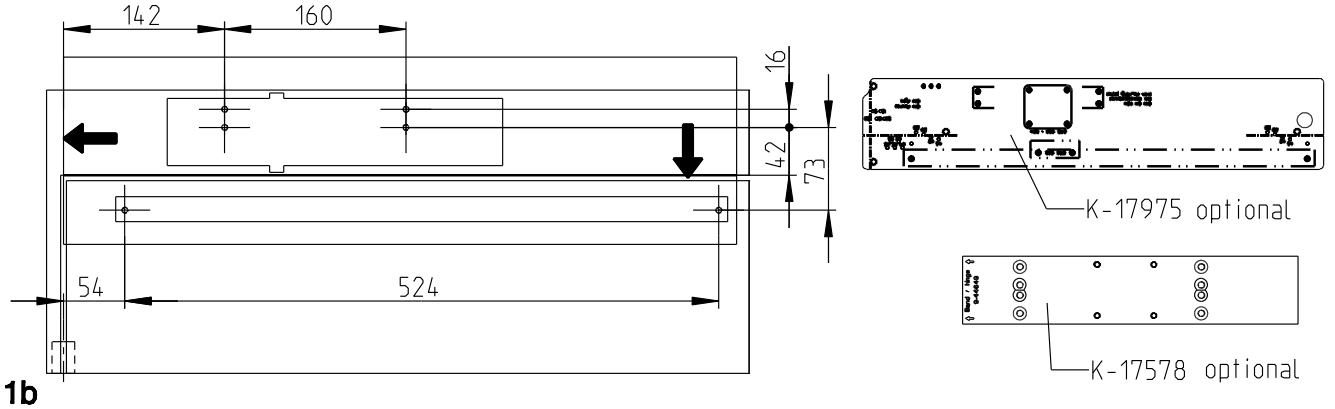
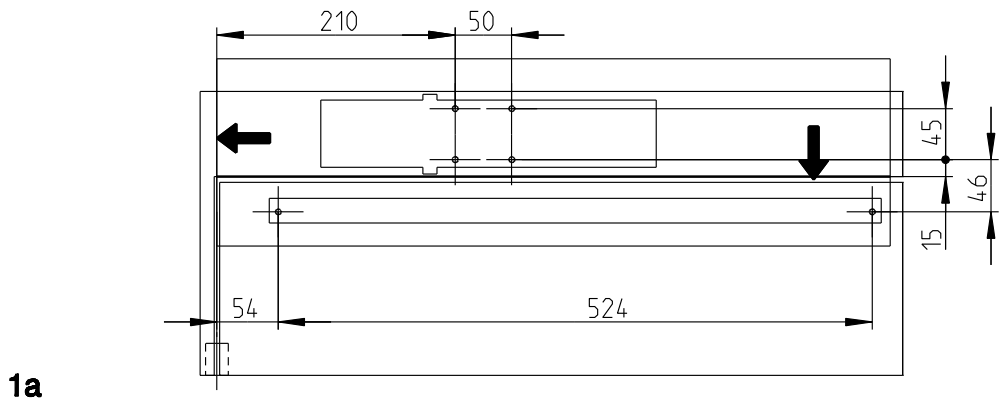
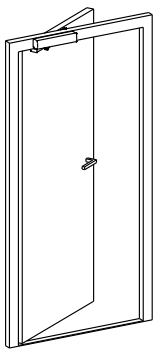
OTS 634 Kopfmontage Bandgegenseite, DIN links K-17523

OTS 634 transom mounting on side opposite to hinges, DIN left K-17523

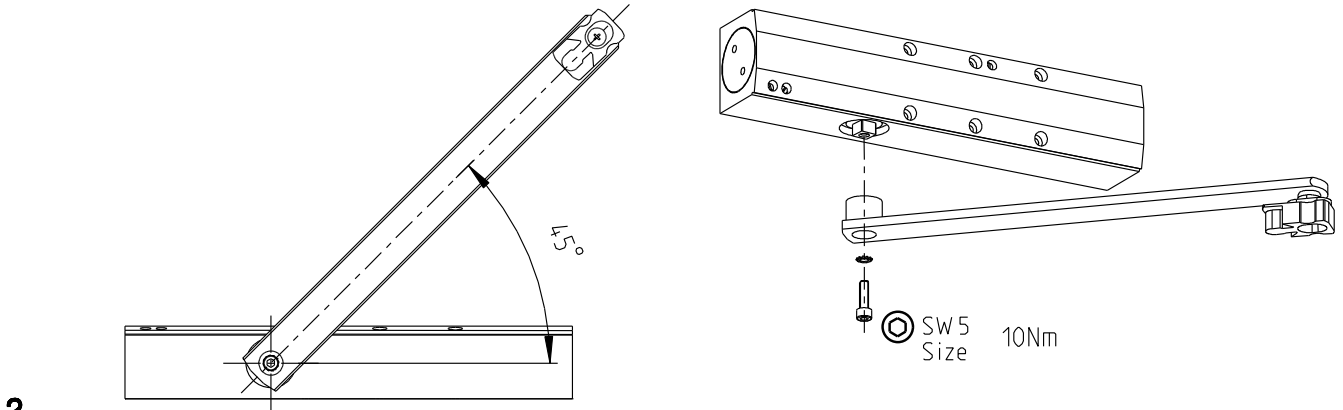


Release No. --	Level	Released		Scale %	Modification 4	Size 4
	Ver.	--	Wi			
	Draft	20.05.2015	Se		Drawing No. 0-44860-PL-0-0	Sheet 10/12
Replacement for --						

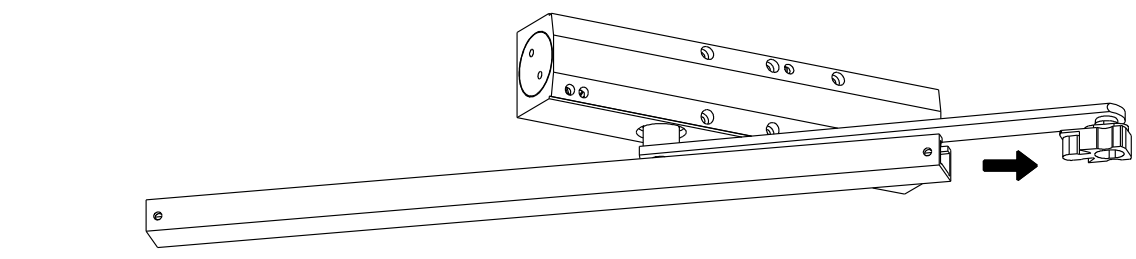
08	1	3
	4	1
	1	1
	4	2
Gretsch-Unitas GmbH Bahnhofsstraße 3 D-71254 Ditzingen	3	8
	2	3
	3	8
CE	04-32-CPD-0067 EN 1154:1996 + A1:2002	
	Substance: -----	



Proprietary rights apply in accordance with ISO 16016.



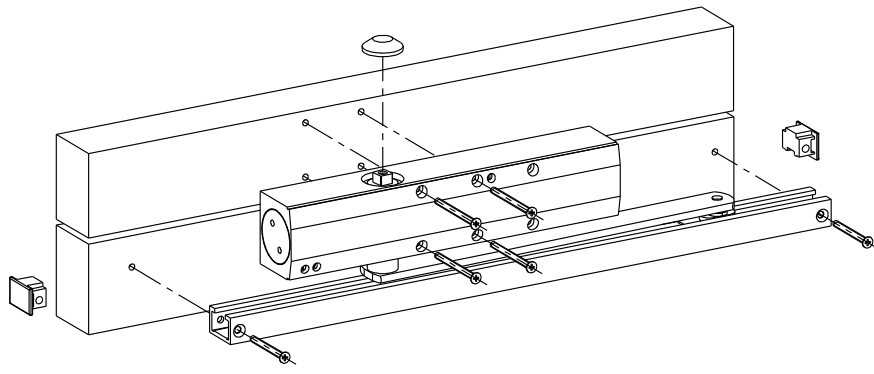
EN
ES
FR
--
--



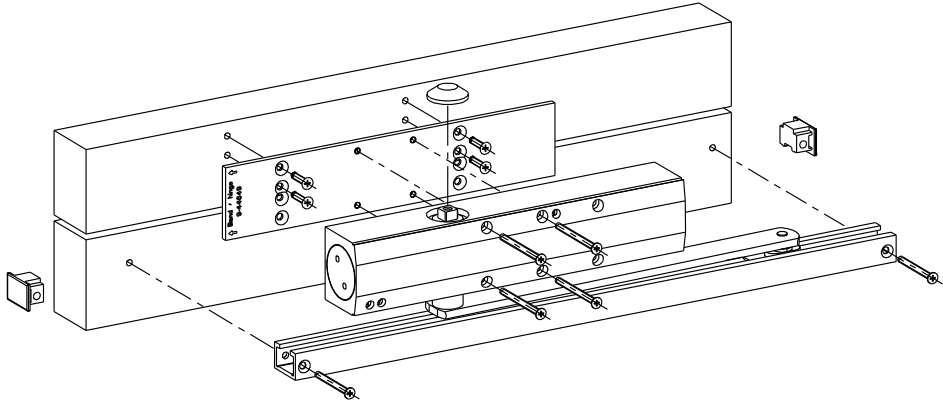
Montageanleitung
assembly instructions
V4

Description								
OTS 634 Kopfmontage Bandgegenseite, DIN rechts K-17523								
OTS 634 transom mounting on side opposite to hinges, DIN right K-17523								
	Release No.	Level	Released		Scale	Modification	Size	
	--	Ver.	--	Wi				%
	Mod. No. G30831	Draft	20.05.2015	Se				
Replacement for --						Drawing No.	Sheet	
						0-44860-PL-0-0	11/12	

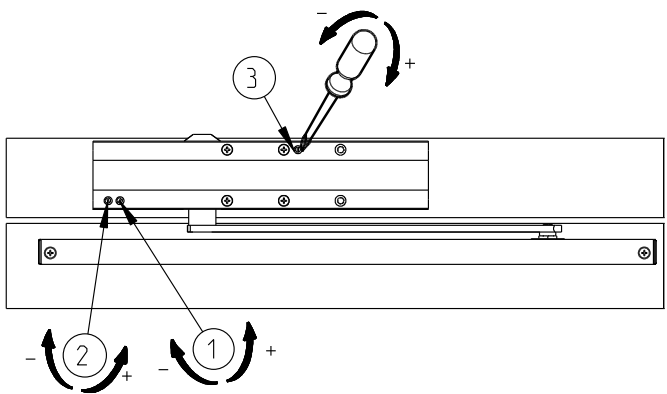
4a



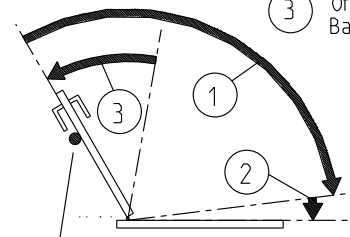
4b



5



- ① Schließgeschwindigkeit
Closing speed
- ② Türendschlag
Latching force
- ③ Öffnungs­dämpfung
Backcheck

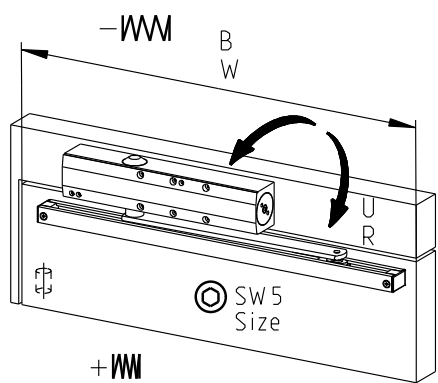


Türstopper bauseits setzen
Door stop to be provided by customer
max. 105°

Proprietary rights apply in accordance with ISO 16016.

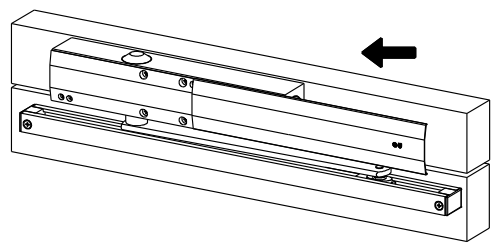
- EN
- ES
- FR
-
-

6



Schließkraft Closing force			
EN	≤ B W	U R ↻	
2	850mm	-	10
3	950mm	-	8
4	1100mm		0

7



Montageanleitung
assembly instructions
V4

Description
OTS 634 Kopfmontage Bandgegenseite, DIN rechts K-17523
OTS 634 transom mounting on side opposite to hinges, DIN right K-17523

	Release No. --	Level	Released		Scale %	Modification 4	Size 4
	Mod. No. G30831	Ver.	--	Wi			
		Replacement for --	Draft	20.05.2015	Se	Drawing No. 0-44860-PL-0-0	Sheet 12/12