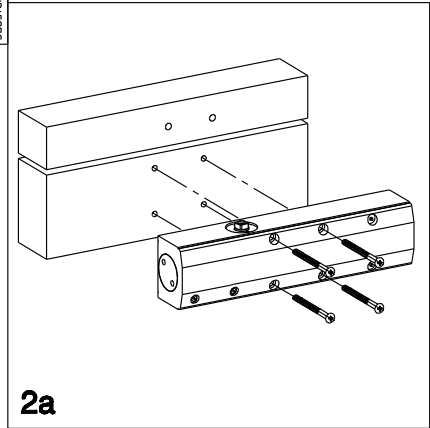
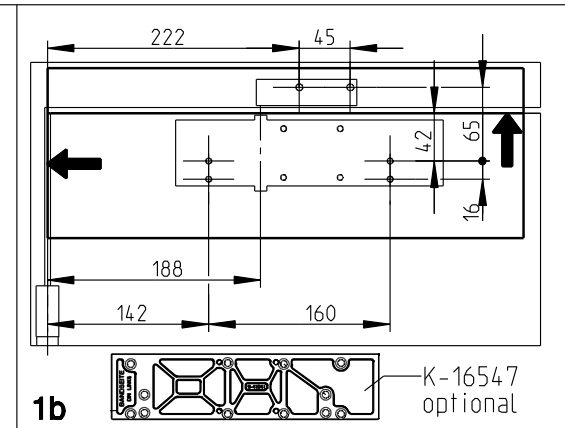
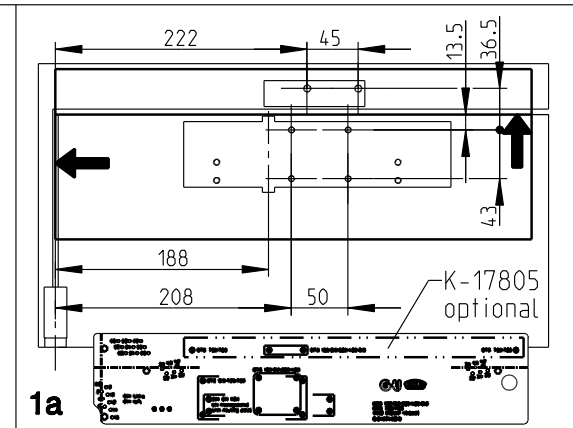
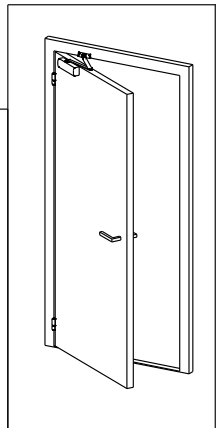
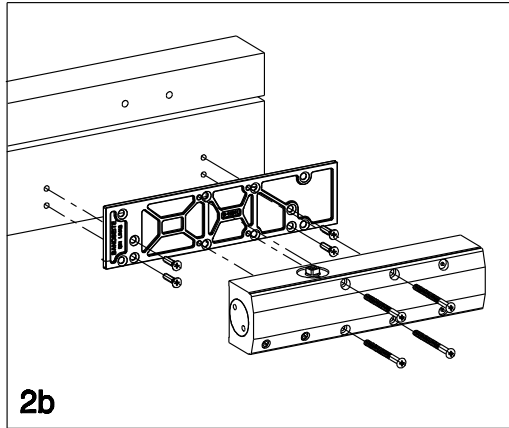


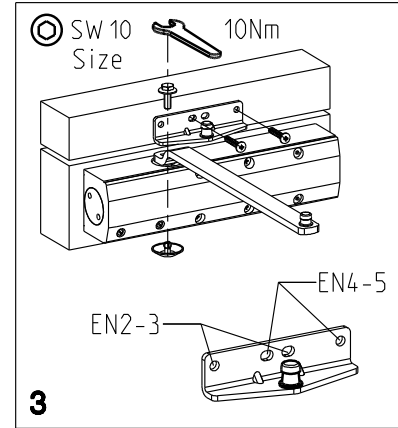
05	1	4
	5	1
	2	1
	8	5
	4	8
Gretsch-Unitas GmbH Baubeschreibung Johann-Fuchs-Str. 3 D-71234 Ditzingen		
0432-CPD-0067 EN 1154:1996 + A1:2002		
Substance:-----		



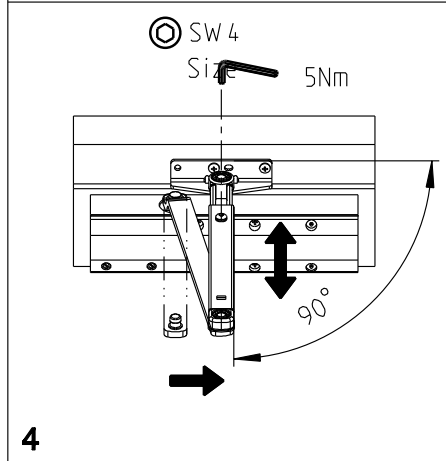
2a



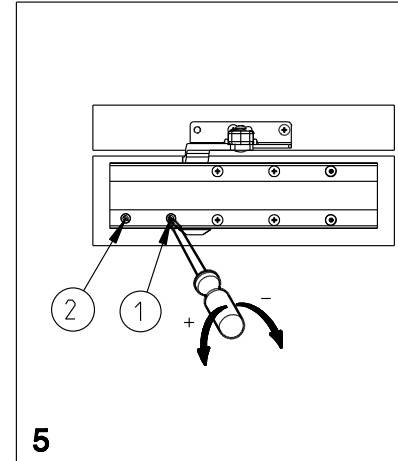
2b



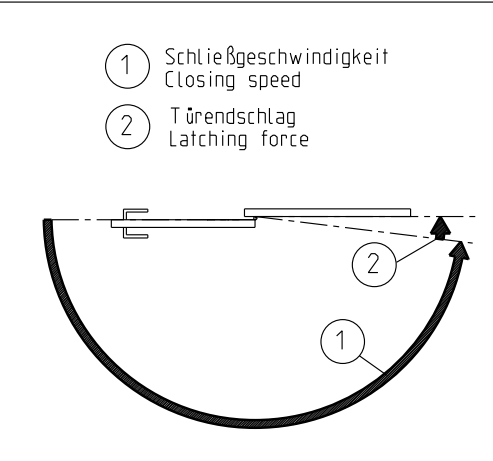
3



4

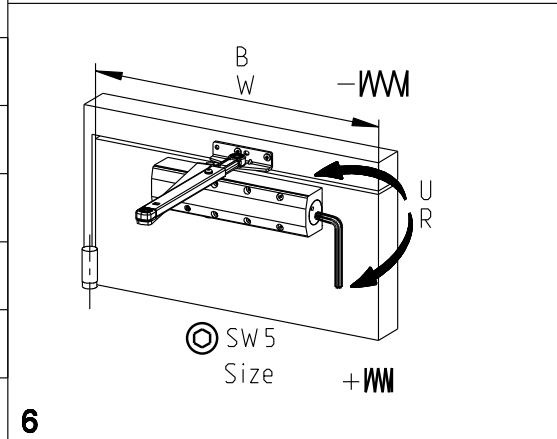


5



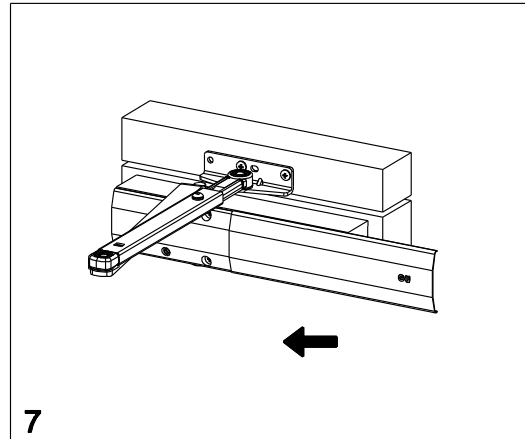
Proprietary rights apply in accordance with ISO 16016.

EN
ES
FR
--
--



6

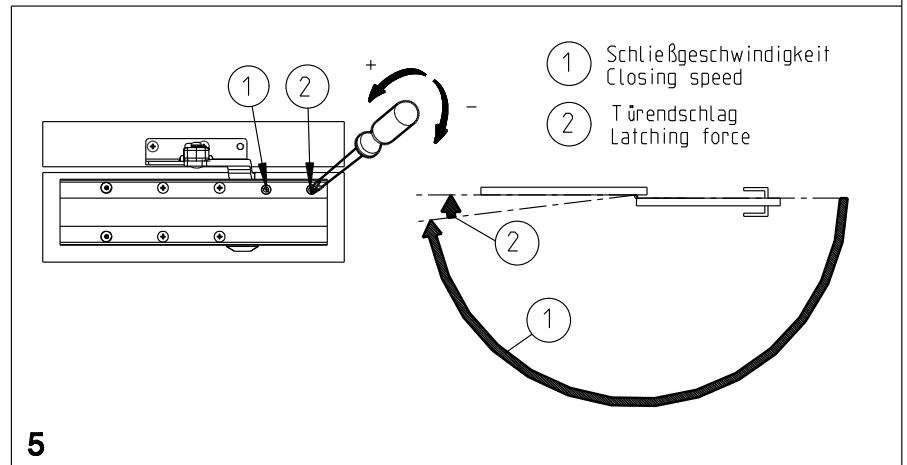
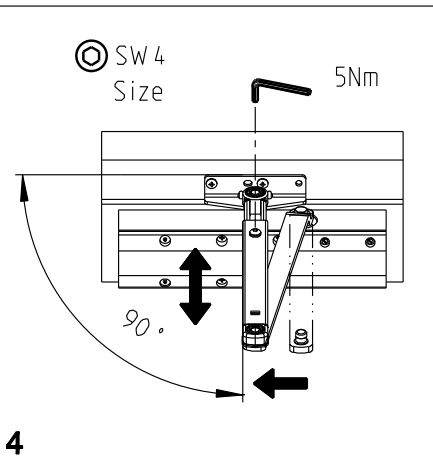
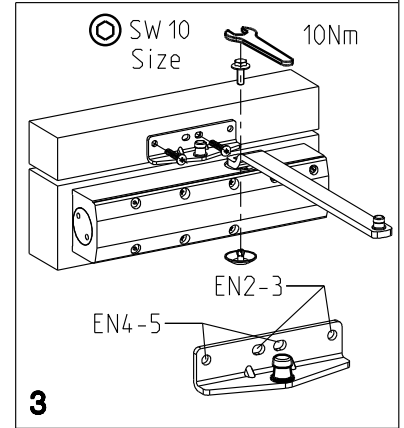
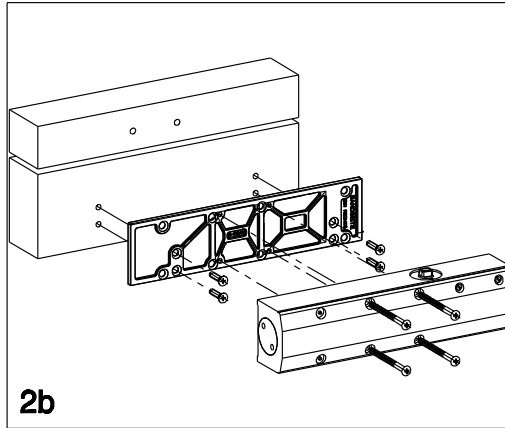
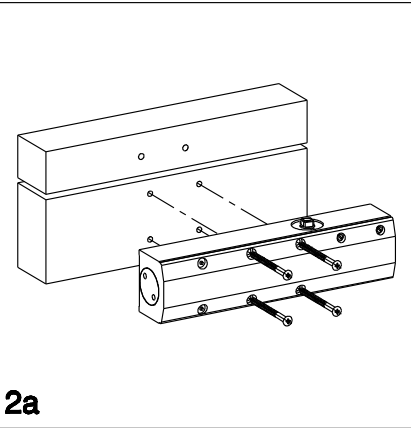
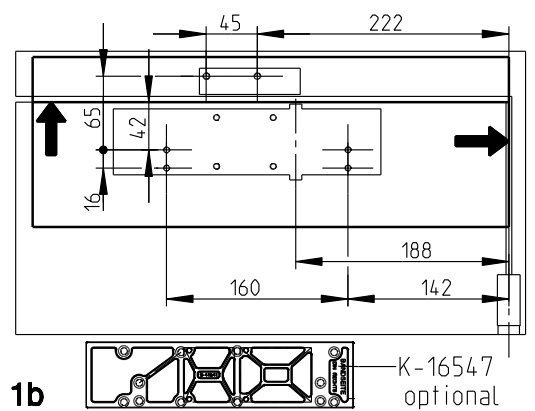
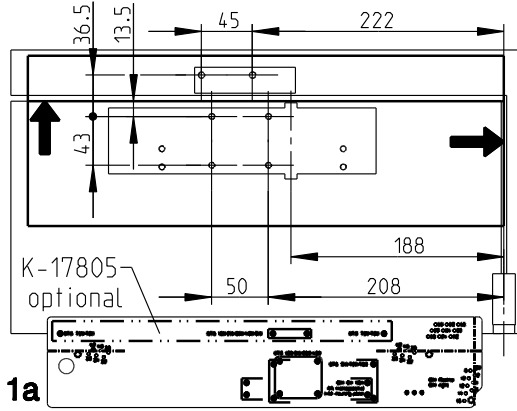
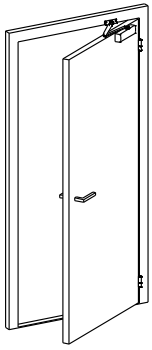
Schließkraft closing force		
EN	≤ B W	U _R
2	850mm	0
3	950mm	+ 6
4	1100mm	+ 6
5	1250mm	+16



7

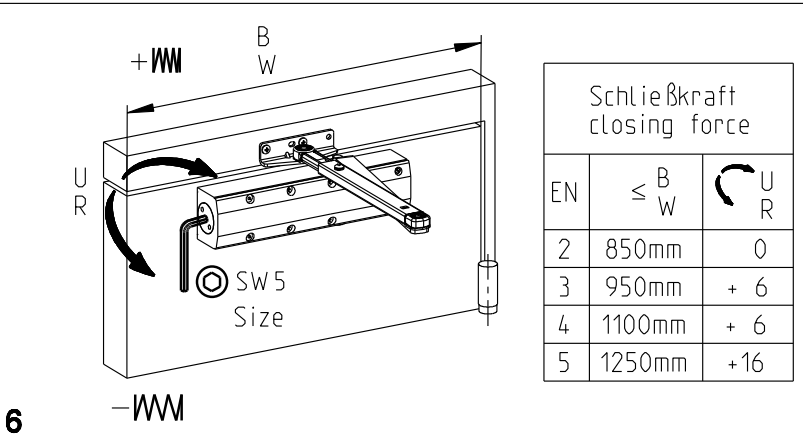
Montageanleitung
assembly instructions

Description							
OTS 430 Normalmontage Bandseite, DIN links K-17051/ K-17983							
OTS 430 standard mounting on hinge side, DIN left K-17051/K-17983							
	Release No.	Level	Released		Scale	Modification	
	--	Ver.	-	Wi			%
	Mod. No. G30831	Draft	18.05.2015	Se			
Replacement for M-00097, M-00112					Drawing No. 0-45360-PF-0-0		
						Size 4	
						Sheet 1/4	

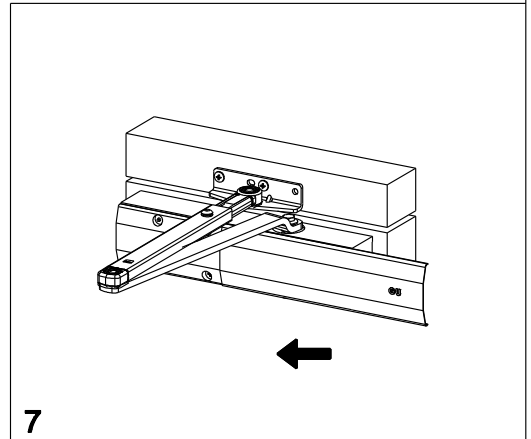


Proprietary rights apply in accordance with ISO 16016.

EN
ES
FR
--
--



Schließkraft closing force		
EN	$\leq \frac{B}{W}$	$\frac{U}{R}$
2	850mm	0
3	950mm	+ 6
4	1100mm	+ 6
5	1250mm	+16



Description

OTS 430 Normalmontage Bandseite, DIN rechts K-17051/ K-17983

OTS 430 standard mounting on hinge side, DIN right K-17051/K-17983



Release No.
--
Mod. No.
G30831

Level	Released	
Ver.	-	Wi
Draft	18.05.2015	Se

Scale
%

Modification

6
Drawing No.

0-45360-PF-0-0

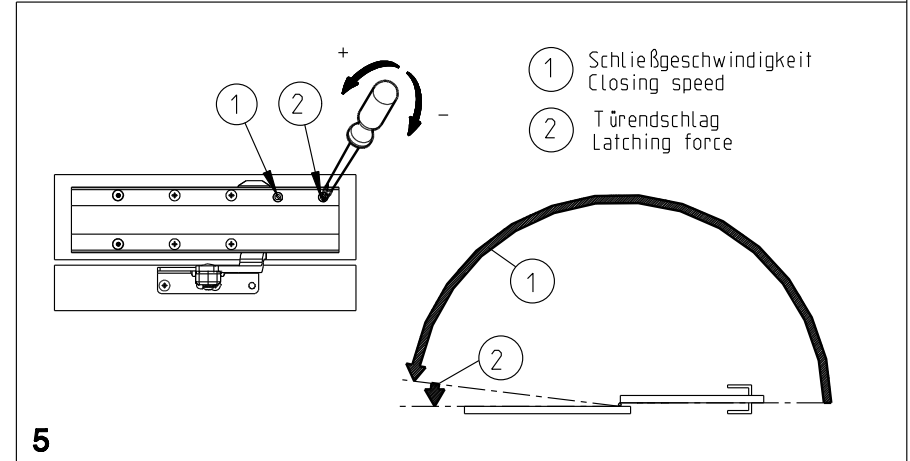
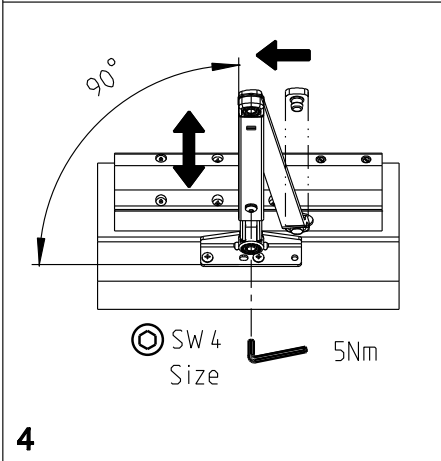
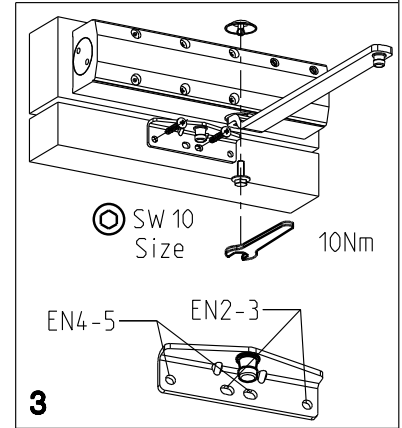
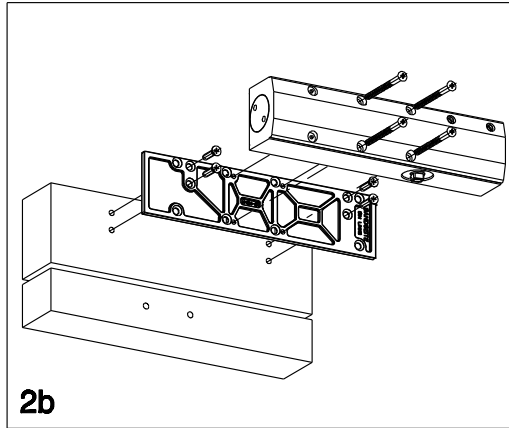
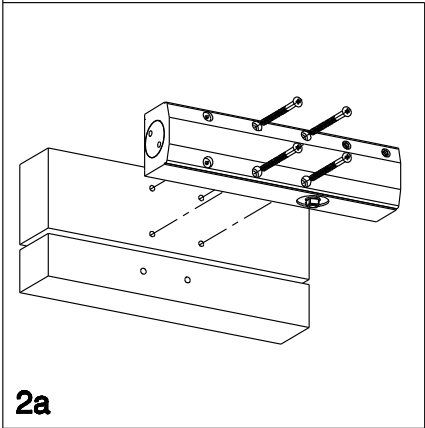
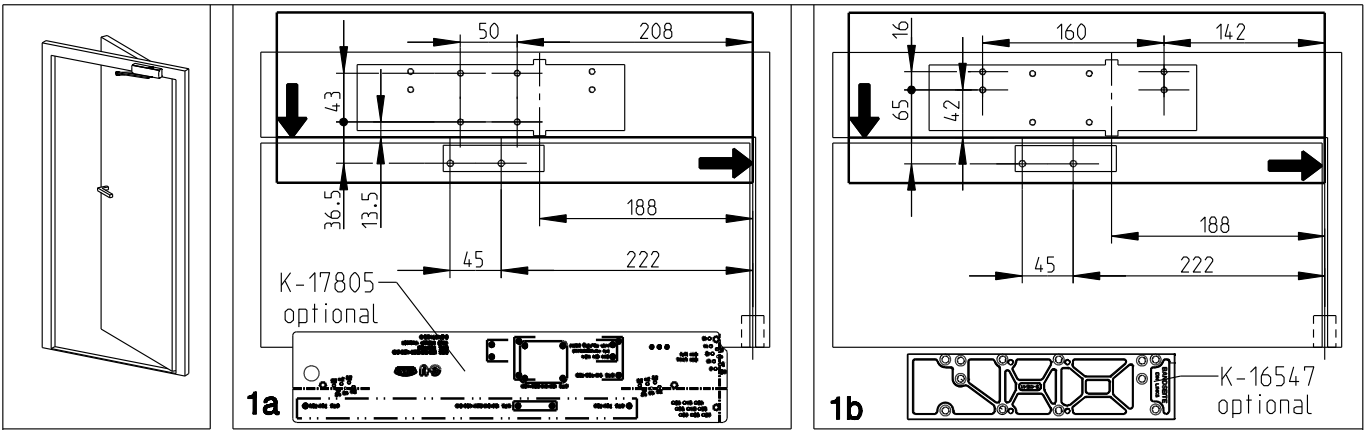
Size

4

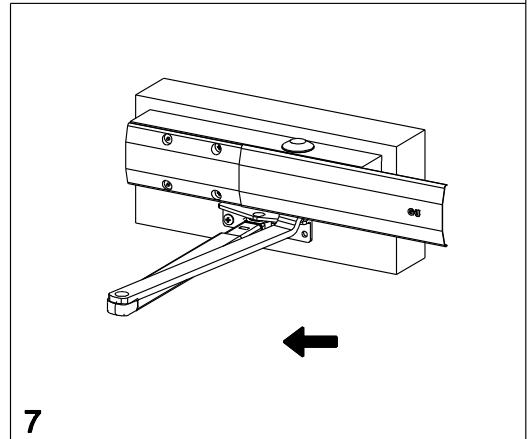
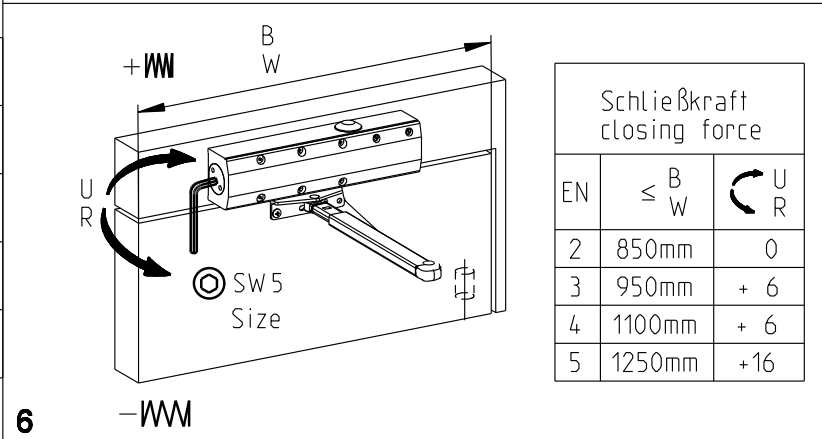
Sheet

2/4

Replacement for M-00097, M-00112



EN
ES
FR
--
--

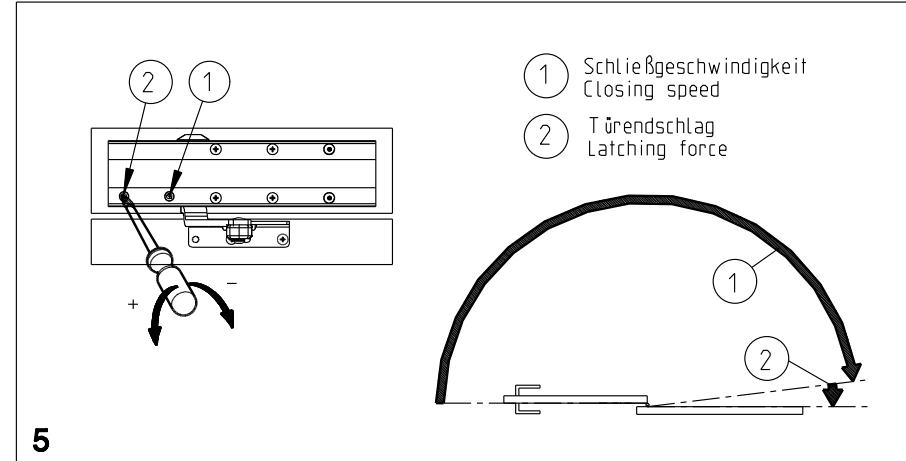
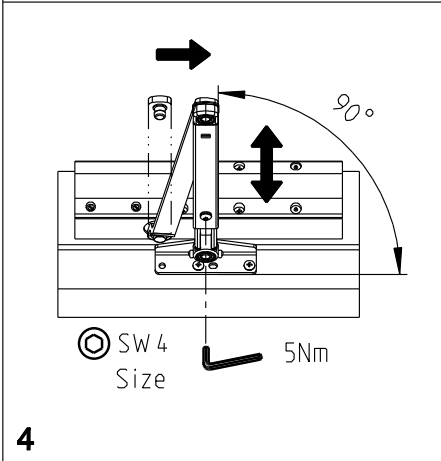
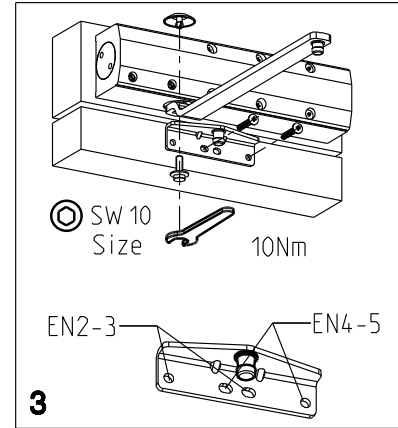
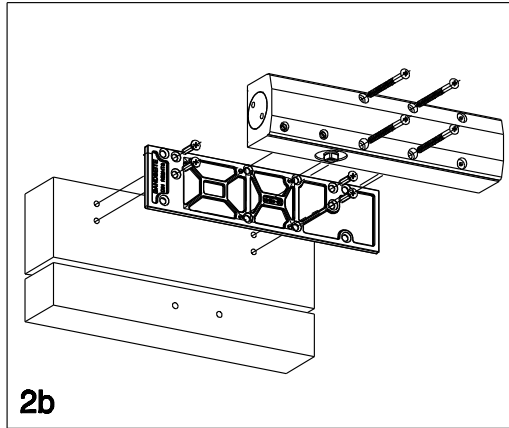
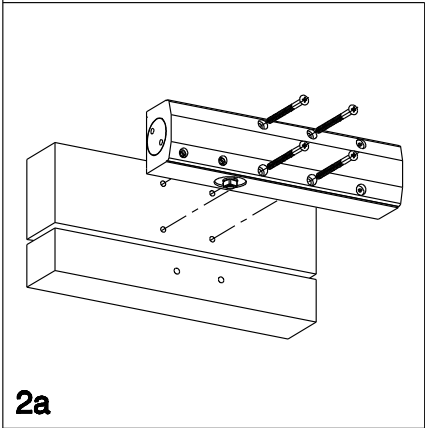
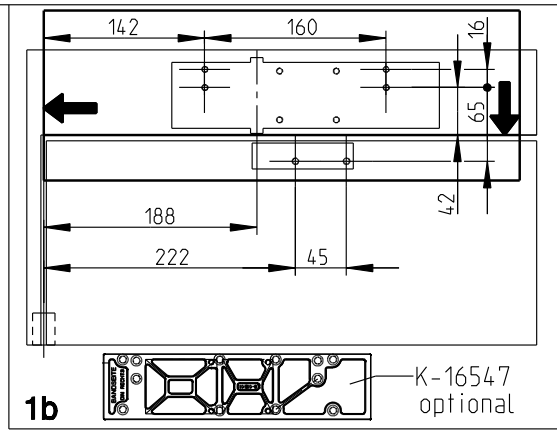
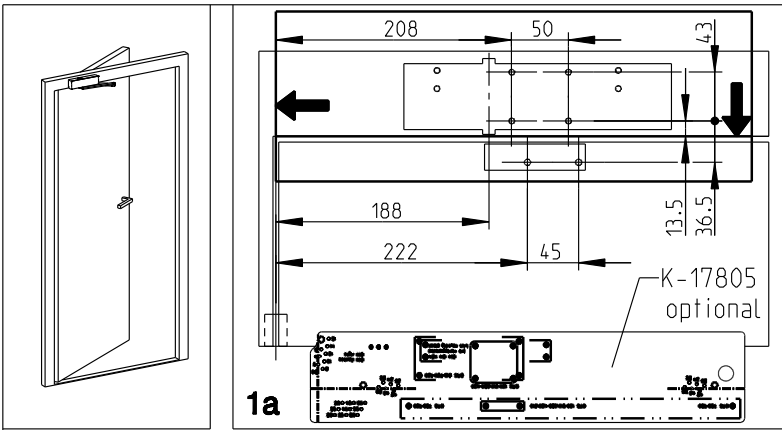


**Montageanleitung
assembly instructions**

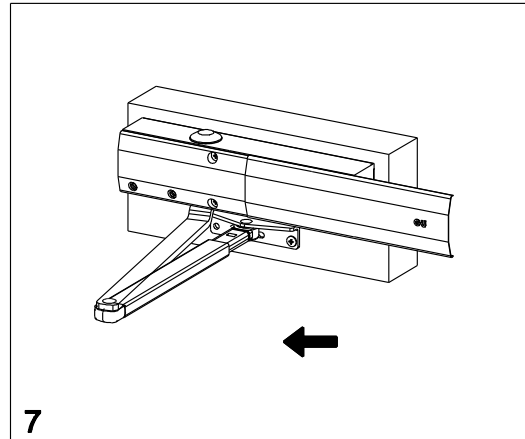
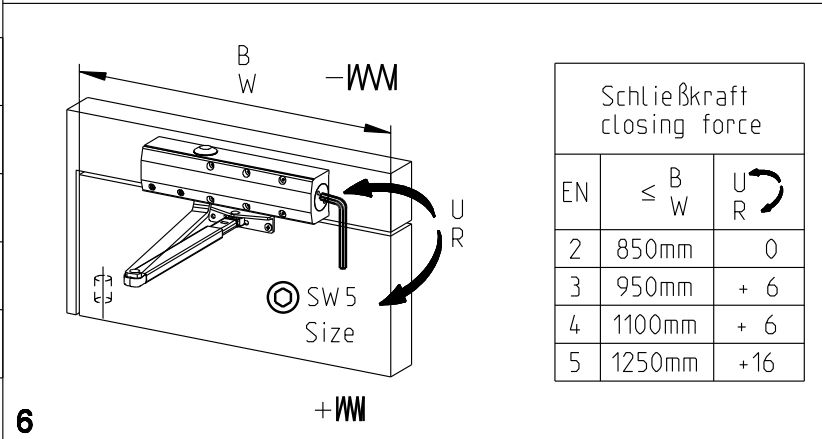
Description
OTS 430 Kopfmontage Bandgegenseite, DIN links K-17051/ K-17983
OTS 430 transom mounting on side opposite to hinges, DIN left K-17051/K-17983

	Release No. --	Level	Released		Scale %	Modification 6	Size 4
	Mod. No. G30831	Ver.	-	Wi			
		Draft	18.05.2015	Se			
Replacement for M-00097, M-00112						Drawing No. 0-45360-PF-0-0	Sheet 3/4

Proprietary rights apply in accordance with ISO 16016.



EN
ES
FR
--
--



Description
OTS 430 Kopfmontage Bandgegenseite, DIN rechts K-17051/ K-17983
OTS 430 transom mounting on side opposite to hinges, DIN right K-17051/K-17983

	Release No. --	Level	Released		Scale %	Modification 6	Size 4
	Mod. No. G30831	Ver.	-	Wi			
		Draft	18.05.2015	Se			
Replacement for M-00097, M-00112						Drawing No. 0-45360-PF-0-0	Sheet 4 / 4